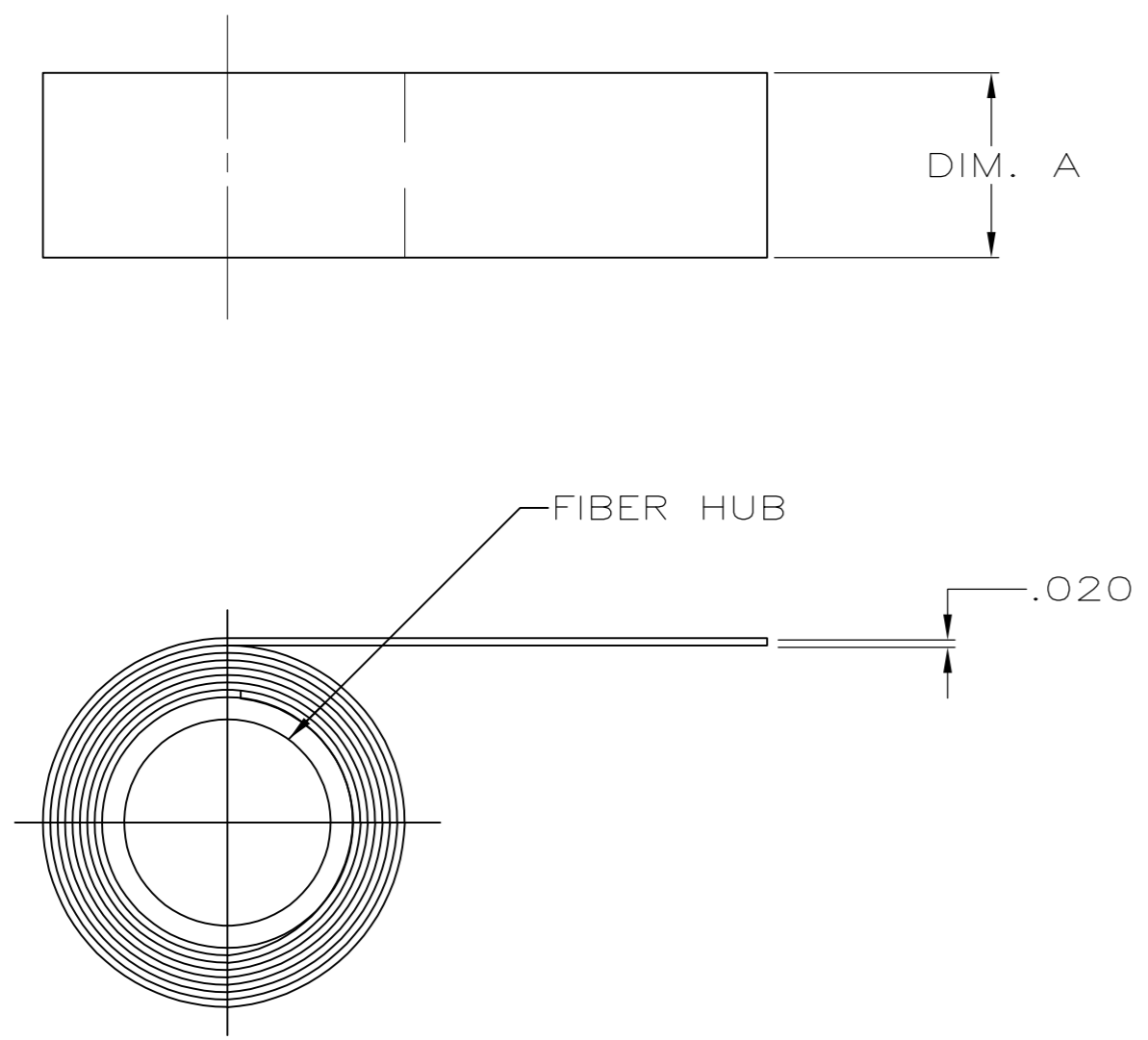


THIS DRAWING IS UNPUBLISHED. RELEASED FOR PUBLICATION
 © COPYRIGHT BY TYCO ELECTRONICS CORPORATION. ALL INTERNATIONAL RIGHTS RESERVED.

LOC	DIST	REVISIONS			
P	LTR	DESCRIPTION	DATE	DWN	APVD
EY	25	A	DRAWN	-	-

- 1 MATERIAL: POLYISOBUTYLENE SELF-AMALGAMATING TAPE, BLACK, .020 THICK.
- 2 SELF AMALGAMATING MATERIAL HAS A 5 YEAR SHELF LIFE, WHICH BEGINS THE DAY MADE. USE AFTER EXPIRATION CONSIDERABLY IMPEDES ITS ABILITY TO FUSE.



9.15M [30 FEET]	38.1 [1.50]	605980-3
9.15M [30 FEET]	25.4 [1.00]	605980-2
9.15M [30 FEET]	19.1 [0.75]	605980-1
LENGTH / ROLL	DIM A	PART NO.

THIS DRAWING IS A CONTROLLED DOCUMENT.		DWN	JR RUTH	29APR10	 Tyco Electronics Corporation Harrisburg, PA 17105-3608
DIMENSIONS: MM [INCHES]		CHK	TOM MICHELUTTI	29APR10	
TOLERANCES UNLESS OTHERWISE SPECIFIED:		APVD	TOM MICHELUTTI	29APR10	
0 PLC ± - 1 PLC ± - 2 PLC ± - 3 PLC ± - 4 PLC ± - ANGLES ± -		PRODUCT SPEC	TAPE, COLD SHRINK		
MATERIAL		APPLICATION SPEC	-		
FINISH		WEIGHT	-		
-		SIZE	A2	CAGE CODE	00779
-		DRAWING NO	C=605980		RESTRICTED TO
-		SCALE	NONE		REV
-		SHEET	1 of 1		A

605980